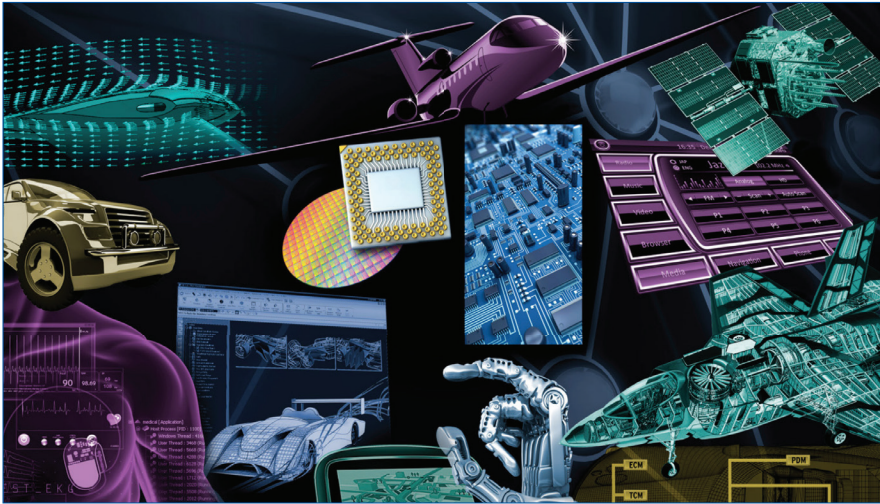


Precision® Hi-Rel Advanced FPGA Synthesis

Advanced FPGA Synthesis

D A T A S H E E T



Precision Hi-Rel provides synthesis-based single event effects mitigation for safety-critical and high reliability applications.

FPGA Synthesis for Safety-Critical and High-Reliability Applications

Safety-critical and high-reliability applications pose unique challenges for FPGA designers. Safeguards must be put in place to account for single event effects that can disrupt system operation and lead to catastrophic failure. The Precision® Hi-Rel product, a Mentor® FPGA synthesis solution, offers unique synthesis-based capabilities for single event effects (SEE) mitigation with unmatched user control.

Advanced Safe Finite State Machines (FSM)

SEU Detect and Recovery FSM

Traditional safe finite-state machine (FSMs) optimizations available in most synthesis tools offer full single-event upset (SEU) detection and recovery for only the area-inefficient 1-hot encoding scheme. The Precision Hi-Rel product offers an enhanced form of safe FSM that offers full SEU detection and recovery for all encoding methods, including area-efficient binary and gray encoding schemes. An SEU will not cause an invalid transition or send the FSM into an unknown state.

Fault-Tolerant FSM

Some applications, however, need stronger safeguards—a safe FSM that detects an invalid transition must still go through a recovery process that typically involves an operational reset, consuming one or more clock cycles. Because this can be prohibitive for some applications, the Precision Hi-Rel product offers a fault-tolerant FSM implementation that can absorb a SEU and continue operation without interruption. With seamless integration within the synthesis flow, and full user-control, the Precision Hi-Rel technology allows

FEATURES AND BENEFITS:

- Broadest device support for single event effects (SEE) mitigation
- Multi-vendor, multi-mode triple modular redundancy (TMR)
- Fault recovery and fault-tolerant finite-state machine (FSM) encoding
- DO-254 and design-assurance features and flows
- Safeguards against single event upsets (SEUs) or single event transients (SETs)
- Device selection freedom beyond specialized silicon technologies
- Less time-consuming and error prone than manual mitigation methods
- Superior quality-of-results and greater user control compared to other approaches

designers to implement these FSM optimizations globally, across the design or at the modular level.

Multi-Vendor Triple Modular Redundancy

Triple modular redundancy (TMR) is commonly used in high-reliability applications. Designers typically had the options of either choosing from a small number of devices with built-in TMR, developing the TMR circuitry manually, or using post-synthesis software flows. With the Precision Hi-Rel product, designers can apply TMR circuitry to a broad selection of devices from multiple vendors and avoid the time-consuming and error-prone process of manual mitigation methods. By automatically inserting TMR at the synthesis level, the Precision Hi-Rel product provides greater user control and superior quality of results when compared to post-synthesis mitigation methods.

In Local TMR (LTMR), all designated sequential elements are tripled and followed by a majority voter, guarding against SEUs.

In Distributed TMR (DTMR), all sequential elements, combinatorial elements, and majority voters are tripled. Redundancy of combinatorial logic will guard against single-event transients (SETs)—effects that occur in combinatorial logic at high frequencies.

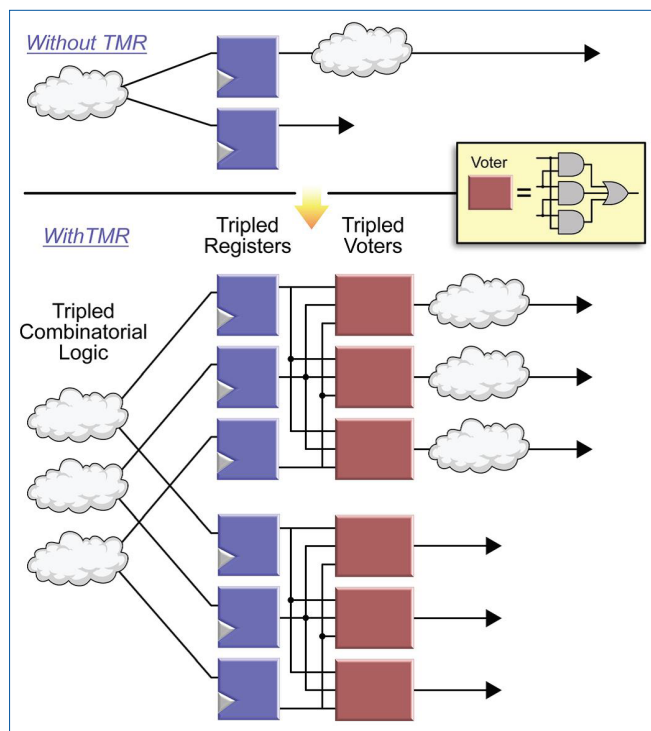
In Global TMR (GTMR) all sequential elements, combinatorial logic, majority voters, and global buffers are tripled, offering the greatest SEE immunity. When used in conjunction with a “background scrub” mechanism, this approach is effective for SRAM-based FPGA architectures.

The Precision Hi-Rel’s TMR technology allows for TMR implementation at the modular level and handles embedded resources such as random-access memories (RAMs), digital signal processors (DSPs), and shift register lookup tables (SRLs). Designers can seamlessly apply constraints and attributes without concern that synthesis will optimize away the TMR circuitry.

DO-254 Design Assurance

The Precision Hi-Rel product incorporates the following mil-aero and safety-critical features:

- Repeatability of results for both register transfer level (RTL) synthesis and physical synthesis.
- Assured synthesis mode for formally verifiable synthesis.
- Formal equivalence checking with the Mentor FormalPro™ product.
- Requirements tracing with the Mentor ReqTracer™ technology.



Distributed TMR and Global TMR triple sequential elements, combinatorial logic, and majority voter.

For the latest product information, call us or visit: www.mentor.com/precision

©2018 Mentor Graphics Corporation, all rights reserved. This document contains information that is proprietary to Mentor Graphics Corporation and may be duplicated in whole or in part by the original recipient for internal business purposes only, provided that this entire notice appears in all copies. In accepting this document, the recipient agrees to make every reasonable effort to prevent unauthorized use of this information. All trademarks mentioned in this document are the trademarks of their respective owners.

Corporate Headquarters
Mentor Graphics Corporation
 8005 SW Boeckman Road
 Wilsonville, OR 97070-7777
 Phone: 503.685.7000
 Fax: 503.685.1204

Sales and Product Information
 Phone: 800.547.3000
sales_info@mentor.com

Silicon Valley
Mentor Graphics Corporation
 46871 Bayside Parkway
 Fremont, CA 94538 USA
 Phone: 510.354.7400
 Fax: 510.354.7467

North American Support Center
 Phone: 800.547.4303

Europe
Mentor Graphics
 Deutschland GmbH
 Arnulfstrasse 201
 80634 Munich
 Germany
 Phone: +49.89.57096.0
 Fax: +49.89.57096.400

Pacific Rim
Mentor Graphics (Taiwan)
 11F, No. 120, Section 2,
 Gongdao 5th Road
 HsinChu City 300,
 Taiwan, ROC
 Phone: 886.3.513.1000
 Fax: 886.3.573.4734

Japan
Mentor Graphics Japan Co., Ltd.
 Gotenyama Trust Tower
 7-35, Kita-Shinagawa 4-chome
 Shinagawa-Ku, Tokyo 140-0001
 Japan
 Phone: +81.3.5488.3033
 Fax: +81.3.5488.3004

Mentor
 A Siemens Business

MGC 02-18 1034320-w